

AT8PSN / AT8PMN

DIN W48 × H48mm Solid-state, power OFF delay timer

Upgrade

Features

- Time setting range
(AT8PSN : 0.05 to 10sec., AT8PMN : 0.05 to 10min.)
- Simple time setup and direct read of time range
- Power supply : 100–120VAC 50/60Hz, 200–240VAC 50/60Hz
100/110VDC, 24VAC 50/60Hz / 24VDC
- Application : Protect circuit when momentary power failure and start it again.



⚠ Please read "Caution for your safety" in operation manual before using.



Ordering information

| | | | | | | |
|------|-----------|---------------|------------|--------------|-------|-----------------|
| AT | 8 | P | SN | - | | |
| Item | Plug type | Function type | Time range | Power supply | Blank | 200–240VAC |
| | | | | | 2 | 24VAC/DC |
| | | | | | 6 | 100–120VAC |
| | | | | | 7 | 100/110VDC |
| | | | | | SN | sec |
| | | | | | MN | min |
| | | | | | P | Power off delay |
| | | | | | 8 | 8 Pin plug type |
| | | | | | AT | Analog Timer |

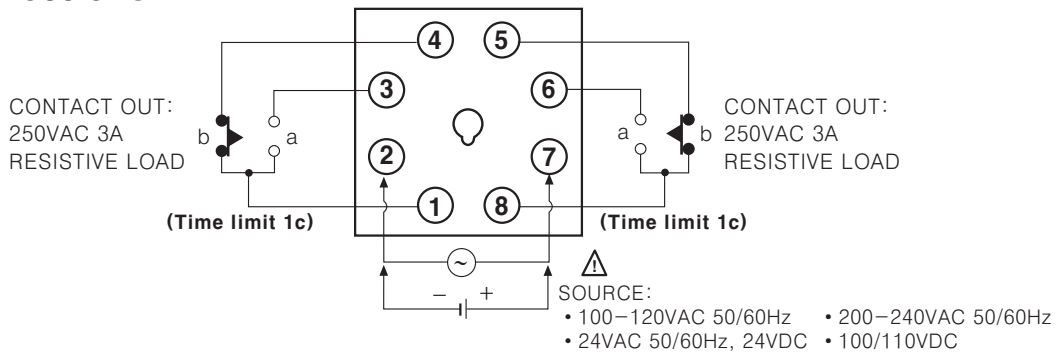
*Socket required : PG-08, PS-08

Specifications

| Model | | AT8PSN-□ | AT8PMN-□ |
|----------------------------|------------------|---|---|
| Function | | Power OFF delay timer | |
| Control time setting range | | 0.05 to 10 sec. | 0.05 to 10 min. |
| Power supply | | • 100–120VAC 50/60Hz • 100/110VDC | • 200–240VAC 50/60Hz • 24VAC 50/60Hz, 24VDC |
| Allowable voltage range | | 90 to 110% of rated voltage | |
| Power consumption | | • 100–120VAC : 1.5VA • 100/110VDC : 0.8W | • 200–240VAC : 1.5VA • 24VAC : 0.2VA, 24VDC : 0.2W |
| Timing operation | | Power OFF start type | |
| Control output | Contact type | Time limit DPDT (2c) | |
| | Contact capacity | 250VAC 3A resistive load | |
| Relay life cycle | Mechanical | Min. 10,000,000 times | |
| | Electrical | Min. 100,000 times (250VAC 3A resistive load) | |
| Repeat error | | Max. ±0.2 % ±10ms | |
| Setting error | | Max. ±5% ±50ms | |
| Voltage error | | Max. ±0.5% | |
| Temperature error | | Max. ±2% | |
| Insulation resistance | | 100MΩ (at 500VDC megger) | |
| Dielectric strength | | 2000VAC 50/60Hz for 1 minute | |
| Noise strength | | ±2kV the square wave noise (pulse width : 1μs) by the noise simulator | |
| Vibration | Mechanical | 0.75mm amplitude at frequency of 10 to 55Hz in each of X, Y, Z directions for 1 hours | |
| | Malfuction | 0.5mm amplitude at frequency of 10 to 55Hz in each of X, Y, Z directions for 10 minutes | |
| Shock | Mechanical | 300m/s ² (Approx. 30G) in X, Y, Z directions 3 times | |
| | Malfuction | 100m/s ² (Approx. 10G) in X, Y, Z directions 3 times | |
| Ambient temperature | | –10 to 55°C (at non-freezing status) | |
| Storage temperature | | –25 to 65°C (at non-freezing status) | |
| Ambient humidity | | 35 to 85%RH | |
| Approval | | CE c UL US | |
| Unit weight | | Approx. 100g | |

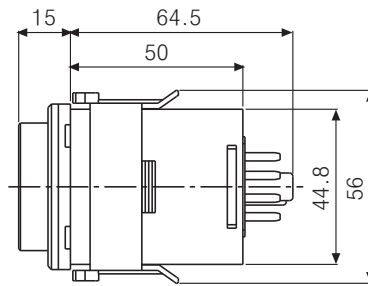
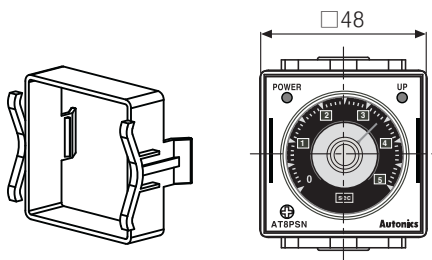
Power OFF Delay Timer

Connections

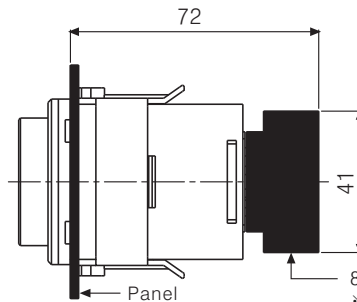
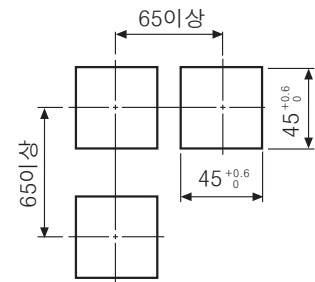


Dimensions

Bracket

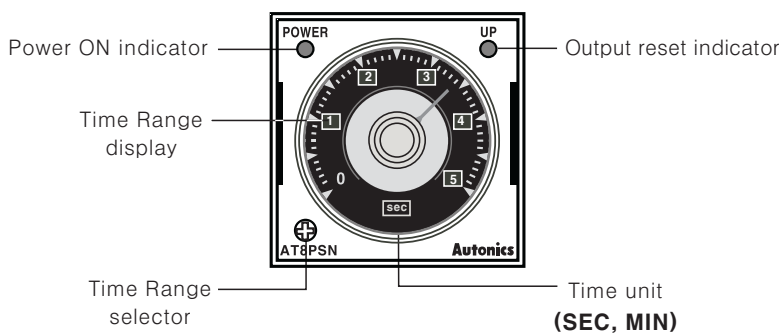


Panel cut-out



(Unit:mm)

Front panel identification

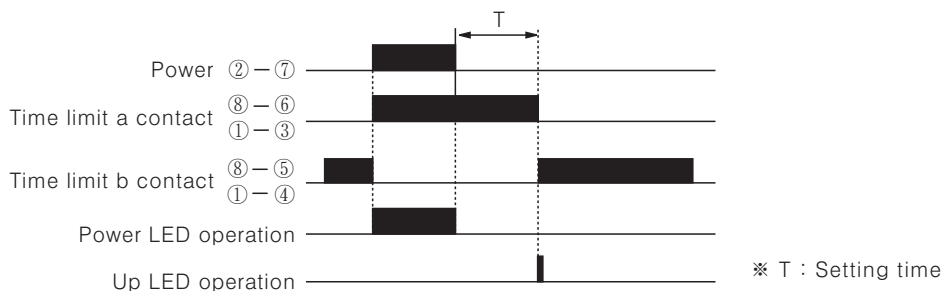


Time specification

| Model | AT8PSN-□ | AT8PMN-□ |
|-------------------------------|---------------|---------------|
| Unit | sec | min |
| Setting time range(T) | 0 to 0.5 sec. | 0 to 0.5 min. |
| | 0 to 1.0 sec. | 0 to 1.0 min. |
| | 0 to 5 sec. | 0 to 5 min. |
| | 0 to 10 sec. | 0 to 10 min. |
| Min. time to supply the power | 0.1 sec. | 2 sec. |

Output operation mode

Contact a turns ON when the power applied and then turns off after setting time(T) is passed when the power off.



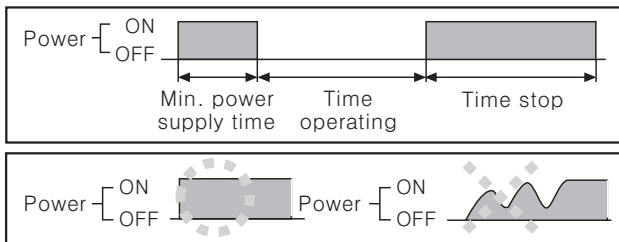
- (A) Photo electric sensor
- (B) Fiber optic sensor
- (C) Door/Area sensor
- (D) Proximity sensor
- (E) Pressure sensor
- (F) Rotary encoder
- (G) Connector/Socket
- (H) Temp. controller
- (I) SSR/Power controller
- (J) Counter
- (K) Timer
- (L) Panel meter
- (M) Tacho/Speed/Pulse meter
- (N) Display unit
- (O) Sensor controller
- (P) Switching power supply
- (Q) Stepping motor & Driver & Controller
- (R) Graphic/Logic panel
- (S) Field network device
- (T) Production stoppage models & replacement

AT8PSN / AT8PMN

■ Proper usage

1) Power

- ① This product is power OFF delay timer, the time of min. power supply is 0.1sec. for AT8PSN-□ type and 2sec. for AT8PMN-□. Therefore be sure that this product will operation after power off.
- ② Please observe the allowable voltage range and apply or cut the power at once to prevent from chattering.



※ Please use the power within rating power and apply.

- 2) In case of 24VDC/DC, 100/110VDC model, isolated and limited voltage/current or Class 2 source should be provided for power supply.
- 3) When supplying the power to the timer with 100–120VAC or 200–240VAC, approx. 0.5A will flow for 0.5 sec. (AT8PMN-□), or for 0.05 sec. (AT8PSN-□). When supplying the power to the timer with 24VDC, 100/110VDC approx. 1.5A will flow for 0.5 sec. (AT8PMN-□), or for 0.05 sec. (AT8PSN-□). Therefore be sure about the rating of contact and the power capacity.
- 4) When performing dielectric voltage test or insulation resistance test while the unit is installed on control panel,
 - Please isolate this unit from the circuit of control panel.
 - Please make all terminals of this unit short-circuited.
- 5) Do not use this unit at below places.
 - Place where there are severe vibration or impact.
 - Place where strong alkalis or acids are used.
 - Place where there are direct rays of the sun
 - Place where strong magnetic field or electric noise are generated.
- 6) Installation environment
 - It shall be used indoor
 - Altitude Max. 2000m
 - Pollution Degree 2
 - Installation Category II.